

THIS NEWSLETTER IS PUBLISHED BY THE
PORT ELIZABETH AMATEUR RADIO SOCIETY

P.O. BOX 10402
LINTON GRANGE
6015

May 1998

ANNUAL GENERAL MEETING JAARVERGADERING

The Annual General Meeting of the Port Elizabeth Amateur Radio Society will be held on **Saturday, 16 May 1998**, commencing at **15:00 (3.00 pm)** in the **Walmer Scout Hall, Fordyce Road, Walmer (near 4th Avenue)**

The Agenda is as follows:

1. Welcome
2. Minutes of 1997 Annual General Meeting
3. Chairman's report
4. Treasurer's report
5. Club awards
6. Election of Chairman
7. Election of Committee
8. Discussion of motion/s
9. General
10. Close of Meeting

Please note that the starting time is a little later than that announced last month. Hopefully this will be more convenient for those who have commitments in the morning. Doors open at 14:30.

The minutes of the 1997 AGM appeared in last month's QSX. Please bring your copy along. Motions for the 1998 AGM appear elsewhere in this issue.

Neem asb. Kennis dat die begintyd effens later is as dié wat verlede maand aangekondig is. Dit sal hopelik meer gerieflik wees vir diegene wat verpligtinge in die oggend het. Deure sal om 14:30 oop wees.

Die notules van die 1997 AJV het in verlede maand se QSX verskyn. Bring asb. u kopie saam. Mosies vir die 1998 AJV verskyn elders in hierdie uitgawe.

Invitation – Uitnodiging

Members, their families and interested non-members are cordially invited to attend the Annual General Meeting of the Society. While only paid-up members will be allowed to participate in the business, all may enjoy the bring-and-braai that will immediately follow the meeting.

PEARS will provide the fires, salads and bread rolls. If you require anything else, kindly bring along your own supplies! Please also provide your own crockery, cutlery, glasses, braai forks etc. See you there!

Die Algemene Jaarvergadering van die Port Elizabeth Amateurradio Vereniging sal om **15:00 (3 nm)** op **Saterdag 16 Mei 1998** in die **Walmer Verkennerssaal, Fordyceweg, Walmer (naby 4delaan)** plaasvind.

Die Sakelys is soos volg:

1. Verwelkoming
2. Notules van 1997 Algemene Jaarvergadering
3. Voorsitter se verslag
4. Tesourier se verslag
5. Klubtoekennings
6. Verkiesing van Voorsitter/voorsitster
7. Verkiesing van Komitee
8. Bespreking van mosie/s
9. Algemeen
10. Sluiting

Please note that the starting time is a little later than that announced last month. Hopefully this will be more convenient for those who have commitments in the morning. Doors open at 14:30.

The minutes of the 1997 AGM appeared in last month's QSX. Please bring your copy along. Motions for the 1998 AGM appear elsewhere in this issue.

Neem asb. Kennis dat die begintyd effens later is as dié wat verlede maand aangekondig is. Dit sal hopelik meer gerieflik wees vir diegene wat verpligtinge in die oggend het. Deure sal om 14:30 oop wees.

Die notules van die 1997 AJV het in verlede maand se QSX verskyn. Bring asb. u kopie saam. Mosies vir die 1998 AJV verskyn elders in hierdie uitgawe.

Lede, hul gesinne en belangstellende nie-lede word hartlik uitgenooi na die Algemene Jaarvergadering van die Vereniging. Terwyl slegs betaalde lede aan die verrigtinge sal kan deelneem, mag almal die bring-en-braai geniet wat onmiddelik ná die vergadering sal volg.

PEARS sal die braaivure, slaai en broodrolletjies voorstien. Indien u nog iets benodig moet u dit asb. self saambring, asook u eie breekgoed, messegoed, glase, braaivurke ens. sien u daar!

Technical Get-together

The monthly get-together of the technical interest group will be held on Thursday, 21 May in the Disaster Management Centre (the clubhouse). As this issue of QSX is being put together unusually early, final arrangements for the subjects of discussion have not yet been made, but it will undoubtedly be another interesting evening for those who like to learn more about radio and electronics.





Annual Report

From the Chair

I feel honoured to have been shown the confidence of the members of the PE Amateur Radio Society at last year's AGM, in being elected chairman. Now comes the time for me to take stock, and reflect on the past year – has it been a success?

I can recall the AGM clearly, and I remember stating that I would rely on the experience of the many members in leading the ship in the right direction. Thankfully that has been an easy task, as the committee has been ever-willing and, similar to a fresh battery, ever ready! My thanks go to the committee for their support, and to the Vice Chairman and Secretary for standing in for me at the couple of meetings that I unfortunately missed.

So, lets look at 1997/98–

- Our Technical gatherings have been going well this year, ably led by Des and Viv. An excellent way to stimulate the constructors' side of the hobby – thanks to them.
- The VW Rally was held in the Longmore Forest area, and once again proved well-run. Thanks to Al and his helpers for being the liaison between PEARS and the VW Rally co-ordinators.
- The Wefax transmission was improved with the raising of the antenna, and shortening of the feedline, but has unfortunately been out of action again for some time. This facility is one of the many background activities undertaken by willing hams, and often goes unacknowledged. Thanks Colin.
- Hamnet underwent some changes, and a local independent group ECARES was formed, under the auspices of Al.
- Chick ran some Morse classes, and Owen also started a set of classes, but these had to be called off due to unforeseen circumstances. Thankfully Owen is back to good health again. Thanks to both of you for the time and effort.
- The outgoing chairman, Dick (and others) was successful in his secretive nomination of the current chairman for Radio Amateur of the Year, which gave me the pleasure of a weekend in Durban at a fantastic beachfront Hotel, and being awarded the presentation at a banquet in Durban. Many thanks to those parties who put pen to paper, however my "achievements" were not in isolation, but a club effort.
- Ken started the "Wrinkly Ravers" get-togethers, and they have grown to be an institution! Well done Ken, in generating some social activity amongst the retired folk.
- Various "Intechnet" get-togethers were hosted on the East Cape Repeater Network, and I must thank the many amateurs who sometimes braved long hours to call in on the net afterwards, even if it was just to announce their presence. It makes the effort all worthwhile. A special word of thanks to Shawn, for his excellent publicity effort in involving various schools in the official inauguration of 1998 as the Year of Science and Technology.
- Well done to Shawn for aiding in the sparing of human life in an incident at the Van Staden's River bridge

[TO PAGE 4 ►

outside Port Elizabeth. And for spearheading the formation of the young amateurs group, by keeping up their interest and arranging a social gathering for them.

- Thanks to Nicholas for being willing to lead the young amateurs group at the Newton Technical School. May it go from strength to strength.
- Thanks to Des and his helpers in presenting the technical classes with great success, especially this last group, who are about to write their RAE. The size of the group is commendable.
- PEARS went Hi-tech with the publishing of an Internet "web page". Thanks here go to Gary for a most professional effort.
- The President of the SARL, Chris Turner paid a fruitful visit to our February general meeting, and a lot of good spirit ensued at this meeting. We thank him for coming to "face the music", and to Dick and Julie and their helpers for the fantastic spread provided.
- Bill and Al joined Bud on their successful Dxpedition to Bird Island.
- The 6m and 2m beacons were refurbished, thanks to Mike and Lionel, and these provide an excellent service to the VHF enthusiasts interested in checking propagation.
- The digipeater was relocated from the farm site back onto the Grahamstown repeater site, and extra filtering was added to take care of mutual interference.
- Jim continued to do a sterling job in keeping our BBS ZS0NTP up to date with messages. Thanks also go to Dick, ZS6RO in Div 6, our forwarding partner.
- The club duplexer project, started by Wolf, and running for some time, culminated in the duplexer being completed and installed, providing greatly improved transmit coverage on this already sensitive repeater. This enabled some long-distance contacts with hams in Bloemfontein and Welkom, proof that the repeater was working better than before.
- The EC Repeater Network was upgraded with the addition of a UHF link towards Cradock from Grahamstown, making good use of all the space provided by the new portacamp "shack".
- More channels were added to the HF auto-patch rig on Lady's Slipper, allowing automatic patching of the more popular national bulletin frequencies, and the Hamnet frequency. The RFI problem that had plagued this rig for a long time was finally laid to rest, and reliable switching of the HF patch has since been possible. Thanks to Trevor, Lionel, Shawn and many other willing helpers on the various repeater maintenance trips.

The above resumé would not have been possible had it not been for my back-issues of the well-acclaimed QSX-PE. Many thanks to you Garth, for the great effort yet again during this year.

Thanks are also due to the faithful members far removed from our immediate area. It is really gratifying to have HF callers-in from afar on the weekly bulletin nets. I hope the HF patch onto the repeater network give you an insight of local traffic, and that you will continue to feel welcome to call in.

I have mentioned names in this message, and thereby run the risk of omitting some, for which I must hereby apologize. The Society is made up of many, all of whom contribute in some small way.

Finally, a word of appreciation to you, the member, for whatever support you have shown for this your Society, during the past year. May we continue to improve. And for that we need constructive feedback – so if you have something to say, please speak up...!

A success? I think so, judging by the many areas of activity.

God Bless

73,

Chris, **ZS2AAW**

QUIZ

Write down the answers to these questions and compare with the answers which will appear in the June issue of QSX.

1. What does SATEPSA stand for?
2. What does NSRI stand for?
3. What is the proposed emergency telephone number for all emergencies, similar to the American 911?
4. Flashing lights of different colours are used for identification purposes. What do the following colours indicate:
Red? Blue? Orange? Green?

5. What is the main radio emergency system in the country called?
6. In what frequency band does this system function?
7. What frequency band is available to rural inhabitants for emergency use?
8. You are travelling along and you are first to come upon a motor accident. What is the first thing you do?
9. What is the second thing you do?
10. What is the third thing you do?

Statistical Analysis

I did an analysis of two recent operating activities and thought it might be of interest to some others, so here it is:

January OSO Party	A	B	C	D	E
Participants	1,8	3,9	13,2	0	75
Giving away points	6,3	12,6	31,6	28,6	0
Hamnet Simulated Emergency Contest in April (ZS amateurs)	A	B	C	D	E
HSEC					
Participants	1,3	2,4	7,9	0	100
Giving away points	0	0	0	0	0
Where: A is percentage of East Cape Amateurs					
B is percentage of PEARS members					
C is percentage of Hamnet/ECARES members					
D is percentage of PEARS committee members					
E is percentage of Hamnet/ECARES office bearers					

73

Al Akers ZS2U

Provincial Director,
Hamnet East Cape/ECARES

**IF YOU HAVE ANY OF THE CLUB'S
FLOATING TROPHIES, PLEASE RETURN
THEM TO CLIVE ZS2RT WITHOUT DELAY!**

MOTIONS FOR THE ANNUAL GENERAL MEETING OF THE PORT ELIZABETH AMATEUR RADIO SOCIETY ON 16 MAY 1998

Motion 1:

(1) That Rule 2.2 of the Constitution be amended to read:

2.2 There shall be four categories of membership: (1) Honorary Life Member, (2) Full member, (3) Family member, and (4) Student member.

(2) That sections 2.2.1, 2.2.2 and 2.2.3 be renumbered 2.2.2, 2.2.3 and 2.2.4 respectively;

(3) That the following new provisions be added after rule 2.2:


2.2.1 An Honorary Life Member shall be one upon whom honorary life membership has been bestowed by the Society.

2.2.1.1 Honorary life membership may be bestowed, subject to approval by a majority vote at a duly constituted meeting of the Society, upon a current member with at least ten years' continuous membership of the Society in recognition of outstanding service to the Society, amateur radio or the radio science. An unbroken period of membership of the former Port Elizabeth Branch and of the Society shall count as continuous membership for the purpose of this rule.

2.2.1.2 An Honorary Life member shall not be required to pay annual membership subscriptions but shall enjoy all the rights and privileges of a fully paid-up ordinary member of the Society.

Motion 2:

That the following new rule be inserted after Rule 3.1.2:

3.1.3 The Committee may waive all or part of the subscription normally payable by a person if, in the opinion of the Committee, such financial assistance is warranted. The recipient of such relief shall nevertheless be entitled to the rights and privileges enjoyed by a fully paid-up member in the relevant category. 

OUR INTERNET PAGE IS <http://users.lafrika.com/g/gl/glaska/>

CB to HAM BAND CONVERSION

VIV MOORE ZS2VM

Just recently there has been an abundance of activity in converting CB sets to 40 meters and transverting to other bands. André, ZS2ACP, and Des, ZR2DH, have been hard at work developing a system which will culminate in a series of kits. The first of these is the 40 meter conversion consisting of a PC board that is installed *inside* the set and converts directly to 7 Megs. The power amplifier is altered to 40 metres.

The channel switch does present a problem but a ten position switch and diode matrix will overcome this. Alternatively one can fit a Channel Selector [kit available]. The clarifier is made live on transmit and its range increased to 10 kHz to cover the range between channels.

The size of the board is 600mm x 750mm. The parts required are generally available and some experience in this form of construction is needed. Suitable sets for conversion are: Philips, Cobra, President, Telefunken Starfire and SBE Land Commander.

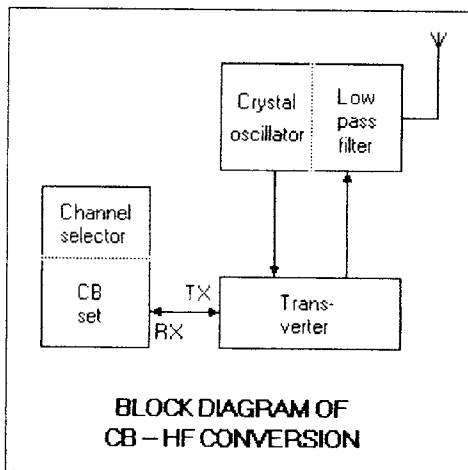
CB - HF CHANNEL SELECTOR

This unit replaces the CB channel switch to enable the selection of 45 channels by means of an up - down selector switch. It also shows the operating frequency in a two or three digit display. It is suitable for the previously mentioned CB sets in either the 40 metre mode or with the CB set converted as the IF for the multi-band transverter. The size of the board is 650mm x 650mm.

MULTI-BAND TRANSVERTER

The transverter is separate from the CB set and designed to allow for QRP operation on four bands, 80, 40, 20 and 15 with an output power of three to five watts depending on the type of transistor used in the final amplifier. (A linear amplifier to take the output to about fifteen watts is in the pipeline.)

The transverter kit consists of two PC boards. The first contains the crystal oscillators, low pass output filters and switching relays. The other PC board incorporates the converter



mixer and output amplifier with switching relays. The size of the boards is 145mm x 60mm.

This kit, without the final amplifier, would be the ideal thing for ZRs to use to listen to the HF bands.

Construction articles will follow in future QSX newsletters. 

THOSE NICADS

By Viv Moore ZS2VM
Based on articles in *The Radio Modeller*
and on *Packet Radio*

As the name suggests, the nickel-cadmium cell has a positive electrode made from nickel hydroxide and a negative electrode in which the active ingredient is a cadmium compound. Potassium hydroxide is the electrolyte.

The whole is encased in a steel cylinder with a tiny valve near the positive terminal, to allow the cell to vent to the atmosphere should pressure build up inside.

So how should we treat our NiCads? Lets look at the pack in our radio, usually made up of cells of about 600mA/H capacity. To charge the pack, use the 10 hour rate, which means that a pack of 600mA/H cells should be charged at 60mA.

To ensure a complete charge we could charge for 14 hours. At this rate the cells will stay cool for

most of the charge cycle and warm slightly as the charge is completed. The vents will remain closed.

One of the attributes of the NiCad is that it doesn't mind being overcharged a little. Provided that one sticks to the 10-hour rate, a few extra hours will not harm it and the overcharge will simply be dissipated as a little extra heat.

Of course this does not mean that you can leave them cooking indefinitely. Do that and the NiCad will suffer, the cell will vent and irreplaceable electrolyte will be lost with a resultant loss in capacity.

A taper charge is far better than the simple resistor and an excellent charger was published in QSX August 1997.

Immediately we mention *charging NiCads* the issue of *memory* crops up. The theory is that if we continually use only a portion of the capacity, after a time the cell develops a 'memory'. The NiCad is fooled into thinking that it has less capacity than it had when it was new and a 600mA/H cell becomes

400mA/H or less by this constant, shallow discharging.

This is a myth and we know that a whole industry has built up around NiCad checkers, cyclers and other devices that promise wonderful results when used to rejuvenate the health of a cell. It is more likely that the cells showing low capacity symptoms are the result of user abuse or have come to the end of their useful life.

A major problem with NiCads is the dendrite growths – miniature metal spikes which eventually short circuit the cell. These internal shorts can sometimes be burned away by passing a high current through the cell but, in this state, the cell is already

‘ The notion that NiCads develop a ‘memory’ is a myth ’

THOSE NICADS (from previous page)

near the end of its useful life.


It isn't possible to leave the subject of NiCads without clearing up the issue of *black wire corrosion*, so named because it affects the negative (black) lead of equipment powered by NiCads.

The conductor of this hapless little lead gradually turns from shiny copper to a sickly green black and at the same time loses all of its physical strength and most of its conductivity.

Not a satisfactory state of affairs for the main power artery into our equipment and, if allowed to go unchecked, the disease eventually infects the PC board. Once infected

there is often little to do to the damaged board but replace it. Black wire corrosion can be expensive!

So much for the symptoms, what about the cause? The villain of the story is the potassium hydroxide electrolyte that has escaped through the vent. Potassium hydroxide has a negative-seeking ion. In other words it actively seeks any conductor carrying a negative potential and it is highly corrosive.

Our bare copper wire stands no chance. Once infected, the corrosion marches on. There is no answer other than to prevent venting by proper charging practices. Earthing the negative lead is a deterrent. 



FOR SALE * WANTED * SWOP

WANTED

* **Rectifier valve RCA 5R4 GYB** (octal base) — **Dave Grunewald ZS2DCG**, Boknes, Tel. (046) 654-0087 or call on the 2 metre "link" or write PO Box 55 Boknesstrand 6189.

* **Lattice tower** — **Donovan van Loggerenberg ZS2DL**, Tel. 360-2549 PE.



Instant Printing

**FOR ALL YOUR
PRINTING REQUIREMENTS**

9 St. Patricks Road, Port Elizabeth 6001

Telephone: (041) 55-2614

Try us for your QSL cards!



MINUTES OF THE MONTHLY GENERAL MEETING OF THE PORT ELIZABETH AMATEUR RADIO SOCIETY, HELD AT THE MUNICIPAL DISASTER MANAGEMENT CENTRE, MILL PARK, PORT ELIZABETH ON FRIDAY, 20 MARCH, 1998

Present & Apologies: As per the register, plus apologies from ZS2AAW.

Opening: In the absence of Chris ZS2AAW, Beavan ZS2RL (Secretary) took the chair and welcomed everybody to the meeting.

Minutes of the Previous Meeting: Acceptance proposed by Fred ZS2JS, seconded by Shawn ZR2SC.

Matters Arising: Nil.

Finance & Membership: Our Treasurer, Clive ZS2RT, reported that all was well.

Correspondence: Applications received from Japanese stations for the defunct Algoa Branch Award, and the CW Merit Award (class 3).

General:

1. It was agreed that Garth ZS2HB would represent PEARS at the SARL AGM, and that the Society would meet his expenses in respect of dinners/meals that he would have to attend in that capacity.
2. Agreed that PEARS would purchase two bricks at R500 each in support of the SARL building fund.
3. Members were reminded that membership fees are due on 1 April.
4. Shawn ZR2SC mentioned that he had a 286 computer for sale, the price being a donation to PEARS. It would be suitable for Baycom etc.
5. Jacques ZR2JH appealed for volunteers to assist with comms in a forthcoming cycle tour to be held on Saturday 28 March. There was no shortage of offers.

Closure: The Acting Chairman closed the meeting at 21:00, after which Al ZS2U took the floor and gave members an interesting talk on the recent DXpedition to Bird Island by himself, Bud ZS1B and others. The usual tea, bikkies and good fellowship followed thereafter. ☺

DAFFYNITIONS (LIFTED OFF THE PACKET BBS BY VIV ZS2VM)

10 ¹² Microphones = 1 Megaphone	10 ⁶ bicycles = 2 megacycles
500 millinaries = 1 seminary	10 cards = 1 decacards
½ lavatory = 1 demijohn	10 ⁶ fish = 1 microfiche
10 ¹² pins = 1 terrapin	10 ²¹ picolos = 1 gigolo
10 rations = 1 decoration	100 rations = 1 C-ration
10 millipedes = 1 centipede	3 1/3 tridents = 1 decadent
10 monologues = 5 dialogues	5 dialogues = 1 decalogue
2 monograms = 1 diagram	2 snake eyes = 1 paradise
2 wharves = 1 paradox	

PEARStalk

SUBSCRIPTIONS

Have you remembered to let the Club Treasurer have your subs for the new PEARS financial year? If not, please do so soon. It's not that we need the money urgently, but you have to be fully paid up if you want to voice an opinion or simply vote at the Club AGM on 16 May.

More important, of course, is the fact that your name will be removed from the membership *and* QSX *distribution lists*. That means you will not receive your favourite reading material and be able to look for the deliberate mistakes. Like printing the 1997 AGM's minutes last month already.

WRINKLY RAVERS LUNCHEON

Remember if you can, all you old codgers, that the next Wrinkly Ravers' happening is scheduled for Thursday, 4 June at the Zwartkops Yacht Clubhouse. Bring your own false teeth. I'm getting tired of lending mine around.

In case the Smelly Creek turnoff is still closed and the bridge from the Bluewater Bay approach is still under repair, better turn off at Deal Party interchange. Last month Viv took your Editor for a scenic – and doubly aromatic – 42 km circuitous drive en route to the venue

RAE ON 21 MAY

We wish all the RAE candidates who are writing on 21 May the very best of luck. The usual pieces of advice are:

- Read the questions thoroughly, noting each word, so that you understand what the examiner is asking, and not what you *think* he is asking!

- Do not look at the answers that are offered before working out your own answer.

- Check your answers before handing in your paper if you still have time to spare.

QSX ON INTERNET

It has been decided that QSX should *not* be published in its entirety on the web site. While announcements, reports and comments will normally be placed in full, certain articles will be reduced to short summaries.

The reasoning behind this is that a fair share of PEARS members' subscriptions go towards the production of QSX and it is not fair that non-members should get the whole newsletter for nothing. It has even been suggested that some of our members belong to PEARS solely for the privilege of receiving the rag every month!

PRESIDENT'S NET ON SUNDAYS

Don't forget to listen on 7082 kHz at 12 noon on Sundays. If the President himself, Chris Turner ZS6GM, is not able to take the net, then usually the Vice President Jan Schubart ZS6ARV or Councillor Maarten du Preez ZS6ZY handles things.

The net is there for you to ask

questions, tell SARL top brass what you think, and suggest improvements.

SARL AGM

The SA Radio League's Annual General Meeting took place on 2 May. Yours Truly, Garth ZS2HB, agreed to represent PEARS since he intended to attend the AGM anyway. It turned out, however, that clubs, as affiliated members, are not entitled to vote, although we were under the impression that voting – having a say in the running of the League – was one of the benefits originally held out as an incentive for clubs to become affiliated – perhaps the *only* real one, in fact!

By now you have presumably heard reports on the proceedings in the SARL bulletins, but I will hopefully be able to report back briefly at our own AGM on 16 May.

Incidentally, because I would be away at the time that QSX would normally be 'put to bed' it has been prepared somewhat earlier than usual this month. Any happenings after 21 April would not be covered in this issue.

In the programme for the weekend, as furnished in Radio ZS, we were promised a '**bra on the spit**' on the Friday evening. Not knowing what I might find in the thing, and not being particularly fond of meat, I decided not to partake. Pity though, because the Friday function usually presents an opportunity for one to meet other attendees and get abreast of things over a large cup of something.

RAE CURRICULUM

At a recent RAE class, discussion centred around just what needs to be

learned to prepare for the RAE. A copy of the official curriculum was downloaded from the SARL web site but that does not really suggest just how deep one needs to go into the various subjects.

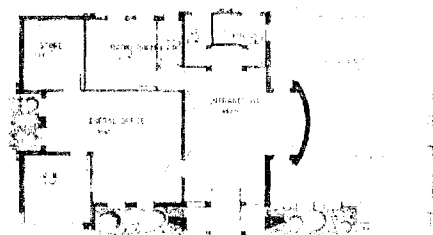
What would certainly help is access to the list of 600 questions that has been promised for many years now. Perusal of the set would help lecturers and students alike to see just what is likely to be asked. Perhaps some news of it has been given at the AGM.

SARL HQ BUILDING

These pictures, depicting the proposed new HQ building and floorplan, were also downloaded from the SARL web site,



NORTH ELEVATION OF COMPLETE BUILDING



FLOOR PLAN

UITENHAGE REPEATER BACK SOON

The Uitenhage repeater is expected to be back in service in the next week or two. The old radio has been taken

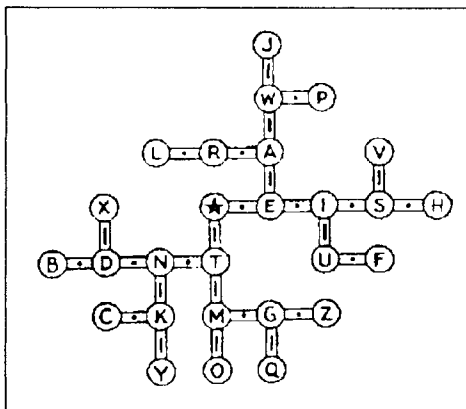
out of service and it will be replaced with a more modern unit.

READ CW WITHOUT LEARNING!

This little diagram and instruction sheet comes from *Teenspanning*, the newsletter of the Magalies Radio-Amateur Klub (dankie, ouens!). It originally appeared in a 1934 issue of QST.

Not especially practical for ham CW, I guess, but many will doubtless enjoy the novelty of the idea!

“Place your pencil on the star at the centre of the graphic below. When you hear a *dit*, move your pencil in a horizontal direction along the lines. For a *dash*, move it vertically.



“When you have “traced” the path of all the dits and dahs of the character, your pencil will be pointing at the letter they represent.

“Someone who knows *nothing* about morse code can be quickly trained to recognize the difference between a dit and a dah, and in a first session can be translating (not really “copying”) at a 5 wpm rate. A

few practice sessions later, he or she will be learning the individual characters because of the repetition.”

That’s what the article says. I have my doubts! One notes that digits are not provided for, although they could easily be built in. But then, this is just for fun, isn’t it?

S. CAPE BEACONS ON AIR AGAIN

The 80m and 160m beacons operated by Roger ZS1J from his smallholding near Plettenberg Bay are back on the air after an absence of several months.


They each run at a half watt into a half-wave dipole. Listen for them on 1817 and 3585 kHz, and be amazed at the strength of the signal that these little rigs put into Port Elizabeth.

SHOCKING STATISTICS

Walking across a carpeted floor causes your body to charge up with static electricity. As soon as you touch an earthed object the potential is discharged – sometimes with an “ouch!”.

The average human sensation level for static discharges is about 3000V. The human body can be regarded as a 100 to 300pF bulk capacitor with a discharge resistance of 50 to 5000 Ω. Examples of the voltage that can be developed are:

- Walking across carpeted floor: up to 35 kV
- Walking across vinyl floor: up to 12 kV
- Working at your shack bench: up to 6 kV.

Discharges from your body, especially via a metal object such as a screwdriver, can destroy devices like ICs, transistors etc. 

Congratulations...

on your birthdays:

May

- 19 Johannes Pieterse ZR2JLP
- 20 Marjorie Forsyth XYL of ZS2AW
- 21 Ron Fitzmaurice
- 22 Bill Hodges ZS2ABZ
- 24 Margaret Raven XYL of ZR2ABH
Vicky Ansell XYL of exZS2AJ
- 31 Shirley Carr XYL of ZS2C
Joe Jasson ZR2JLJ
Dennis Flynn ZS2DB

June

- 1 Jeff Bowes-Taylor ZS1VS
- 5 June Jones ZS2JJ
- 9 Gus Winter ZS2MC
- 10 Ken Victor ZS2OC
- 11 Maureen Fulton XYL of ZS2OC
- 13 Jimmy Hoole ZS2ABM
- 15 Neville Vroom ZS2NV

on your anniversaries:

May

None in this QSX period

June

- 4 Marge & Jim van Loggerenberg ZS2LR
- 8 Heather & Neil Holmes ZS2AI
- 14 Heather & Jimmy Hoole ZS2ABM
- 16 Peggy & Viv Moore ZS2VM
- 19 Elsa & Ben Schilder ZR2ABE

on your degrees:

Collette Schönborn ZR2CBS (BSc in quantity surveying), Colleen Attwell, daughter of Colin ZS2AO (BSc in Zoology) and Shaun Radue, son of Dudley ZS2DR (LL.B).

Sick list: Wally ZS2ELL has been ill for some time and we hear that he's moving QTH to Cape Town, where he has family. Our old friend Bud ZS1B played a major rôle in having Wally airlifted from EL to the military hospital in CT, where he is receiving treatment.

Farewell: David Butcher ZR2DCB who has moved to Pretoria for business reasons. Go well, David!

Gadding: Lionel ZS2DD has been visiting Natal, while the four Scarrs, Julie, Vanessa, Trevor and Chris spent a week or so in Cape Town. As this goes to press, Chris is in Gauteng on business, and Nicolas ZR2NDT and Garth ZS2HB are in Gauteng to attend the SARL AGM.



Meet Kevern "Shut-Up" Layton, son of Sharon ZS2SL and Martin ZS2ML, and brother of Chanel ZS2CNL. Aged 11, and a Grade 6 scholar at Muir College in Uitenhage, Kevern is the youngest member of our RAE class.

I thought his name was "Shut-Up" because whenever the lecturer, Viv, put a test question to the class, Viv would immediately point at Kevern and say "shut up!". I eventually realized that this was to stop the lad from giving the (usually correct) answer before the rest of the class had a go at it.

Way to go, Kev!



Your Society's Committee

Chairman, Repeaters, Packet	Chris Scarr ZS2AAW	38-1344
Vice Chairman, Social	Dick Schönborn ZS2RS	38-5070
Secretary, Awards	Beavan Gwilt ZS2RL	360-6968
Treasurer, Assets Control	Clive Fife ZS2RT	32-3203
Social, Assisting with Assets Control	Lynne Crothall ZS2MM	35-4671
Ex-committee - refreshments at meetings	Bill Hodges ZS2ABZ	51-2580
QSX Manager & distribution	Trevor Scarr ZS2AE	32-1746
Ex-committee - QSX Editor & layout	Garth Laaks ZS2HB	38-1101
Technical Classes	Des Herselman ZR2DH	54-2911 (W)
	Cell 083 261 5402 (All Hrs)	

PEARS' VHF & Other Services

REPEATERS

Town VHF	145.050/650	Kareedouw	† 145.125/725
Town UHF	431.050/438.650	Knysna	*145.075/675
Cockscomb	145.000/600	Lady's Slipper	*145.100/700
Cradock	145.050/650	Uitenhage	145.075/675
Grahamstown	*145.150/750	Theescombe	† 145.175/775

* These form PE's long-range 2-metre repeater system, to which the East London 145.125/725 MHz repeater and the George repeater on 145.100/700 are also linked.

† These are privately owned repeaters and are not included in the PEARS linked repeater system.

OTHER SERVICES

Packet Bulletin Board (ZSØNTP)	144.625
Packet Rose Switch ZSØGHT-3,046101 (144.675 in/out) or 046102 (UHF out to BBS)	144.675
2m Beacon (ZS2VHF CW ID) (horizontally polarized)	144.410
6m Beacon (ZS2SIX CW ID) (horizontally polarized)	50.005
6m Simplex Link with Lady's Slipper 2m Repeater (vertically polarized)	51.400
Wefax Relay (Meteosat)	145.350

Sunday Bulletins

PEARS bulletins are transmitted on Sundays immediately after the SARL English transmission, i.e. at about 08.45, on 7098 kHz as well as the 2 metre linked network that provides coverage from East London to George and environs via the linked repeater system described above. PEARS' 7098 or 3640 kHz transceive facilities are also remotely linked as needed. In addition, the SARL's 40m transmissions on 7082 or 7066 kHz, alternatively 7070 kHz, can be remotely patched into the 2m network, either in receive-only mode or for full transceive capability for interactive events.

Date	Prepare and Read on 2m Rptr link
17 May	Chairman
24	_____
31	_____
7 June	_____
14	_____
21	_____

DIARY DATES

MAY

16 PEARS A G M

- 17 40m Hamnet Contest
- 21 Technical evening
- 21 RAE Examination

JUNE

- 4 Wrinkly Ravers' luncheon
- 21 SARL QRP Contest

★ We Like Being Your Society! ★